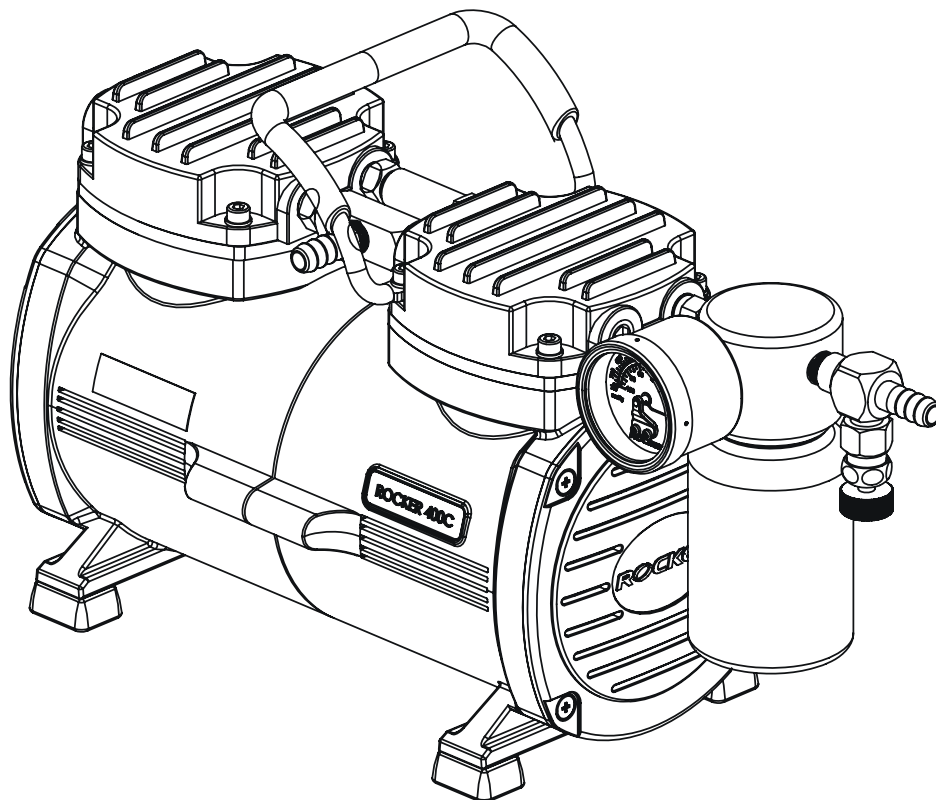


Instruction Manual

Rocker 300C / 400C / 410C

PTFE Coated

Chemical Resistant Vacuum Pump



ROCKER

Please read this instruction manual before using this product.

Important Notice

This instrument is designed for laboratory usage only. Please read this manual carefully before installing and operating. The instrument shall not be modified in any way. Any modification will void the warranty and may result in potential hazard. We are not responsible for any injury or damage caused by any non-intended purposes and modifying the instrument without authorization.

1. Check the voltage specified on the name plate and ensure it matches the line voltage in your location.
2. Install the instrument in a clean, dust-less and ventilated area under 40°C.
3. Never use the pump with any flammable gas or toxic material.
4. The pump is not designed to start against applied vacuum. To prevent damage, verify that the pump inlet is at atmospheric pressure before each start. If necessary, the inlet can be vented to atmosphere by partially unscrewing the vacuum regulator knob.
5. When finish pumping, please do not turn off the pump at once and continue to run the vacuum pump for at least two minutes in order to draw out the mist and tiny liquid to prolong the service life of the pump.
6. This pump has a thermal protection device that automatically shuts-off when it becomes overheated.
7. The temperature of the surface of pump is very high after use or during work, please don't touch it to avoid being burnt.
8. Do not use any lubricant, which may damage the pump.
9. If the supply cord is damaged, please contact the manufacturer or your service agent for replacement to avoid hazard.

*** Warning: The PTFE-coated diaphragm and chamber can offer good resistance to a wide range of chemicals except strong acid and alkali.**

Unpacking

When unpacking, notice if the pump is in good situation. If not, please contact the distributor or contact us by e-mail: export@rocker.com.tw immediately for assistance.

Rocker 300C Main Part Diagram



| Model | Position | Designation |
|-------------|----------|------------------|
| Rocker 300C | 1 | On/Off Switch |
| | 2 | Air Outlet |
| | 3 | Air Inlet |
| | 4 | Vacuum Gauge |
| | 5 | Vacuum Regulator |
| | 6 | Moisture Trap |

Rocker 400C Main Part Diagram



| Model | Position | Designation |
|-------------|----------|------------------|
| Rocker 400C | 1 | On/Off Switch |
| | 2 | Air Outlet |
| | 3 | Air Inlet |
| | 4 | Vacuum Gauge |
| | 5 | Vacuum Regulator |
| | 6 | Moisture Trap |

Rocker 410C Main Part Diagram



| Model | Position | Designation |
|-------------|----------|------------------|
| Rocker 410C | 1 | On/Off Switch |
| | 2 | Air Outlet |
| | 3 | Air Inlet |
| | 4 | Vacuum Gauge |
| | 5 | Vacuum Regulator |
| | 6 | Moisture Trap |

Operation

Operating procedure

1. Press on/off (1) button to activate the pump after making sure all tubing are well connected.
2. To setup vacuum by adjusting the regulator (5).

*** Warning: When pump is used for aqueous solution filtration, please ensure the liquid level of flask not exceed safety level. Failure to comply could result in serious damage to the pump and void the warranty. If it occurs, please contact the distributor immediately for service.**

Maintenance

1. If the moisture trap is full of liquid more than 70%, please stop doing the experiments immediately and remove the liquid.
2. After finishing the experiment, please remove the liquid in the moisture trap and pumping the air for at least 2 minutes to withdraw the residual steam.

Ordering Information

| | |
|---------------|--|
| 189300-11(22) | Rocker 300C, PTFE Coated Chemical Resistant Vacuum Pump, AC110V,60Hz (AC 220V,50Hz) |
| 189400-11(22) | Rocker 400C, PTFE Coated Chemical Resistant Vacuum Pump, AC110V,60Hz (AC 220V,50Hz) |
| 189410-11(22) | Rocker 410C, PTFE Coated Chemical Resistant Vacuum Pump, AC110V,60Hz (AC 220V,50Hz) |
| 189300-62 | Rocker 300C Repair kit |
| 189400-62 | Rocker 400C / 410C Repair Kit |
| 189300-06 | Moisture Trap / Vacuum Regulator |
| 167200-38 | Silicone Tube, Ø 6 x 12 mm, 1 m |
| 180300-68 | Silicone Tube, Ø 8 x 14 mm, 2 m |

Rocker Scientific Co., Ltd.

Tel: +886-2-26033311 Fax: +886-2-26036622

E-mail: export@rocker.com.tw <https://www.rocker.com.tw>